



RKL 160

RotHÖDGVÆPSHVVRU

CVS utvecklar och tillverkar kompressorer speciellt konstruerade för installation i lastbilar. Utvecklingen sker i nära samarbete med våra kunder. Detta garanterar optimala produkter för dina transporter.



Den oljefria VANE kompressorn

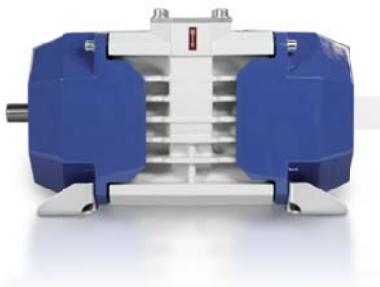
Den oljefria kompressorn KL utvecklades speciellt för de höga krav som ställs för vätsketankar.

Faktorer

- » High quality compressors from CVS for reliable discharge
- » Durable and robust design guarantee long lasting performance and high operating hours
- » Compact and light-weight compressors for higher payload on the tanker

Compressors with system

The compressor RKL delivers a volume flow between 116 up to 154 m³/h / 92 - 123 cfm. An efficient cooling system of the RKL 160 ensures improved service life.

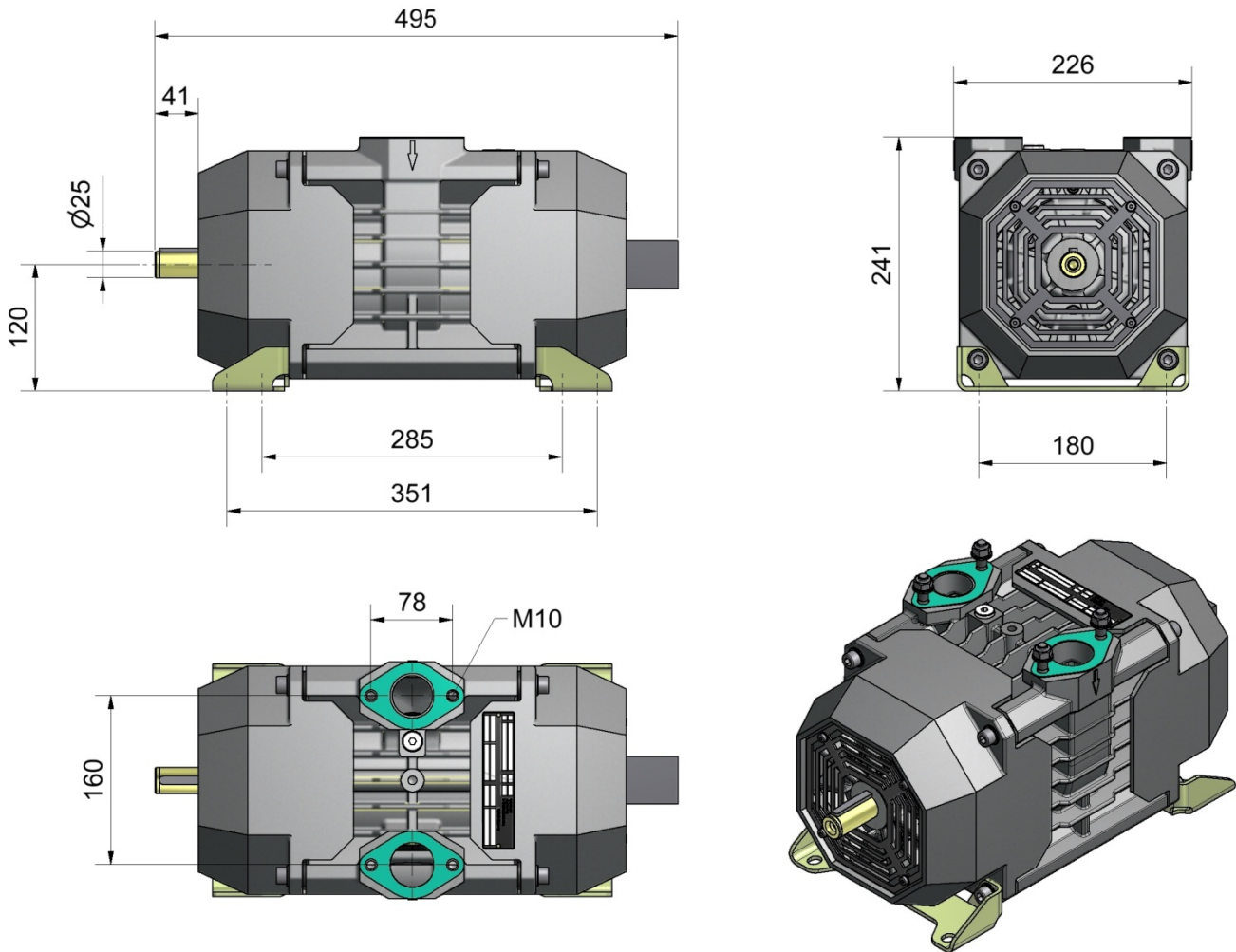


Advantages

- » Variable mounting brackets
- » Optimized cooling
- » Clockwise or counter-clockwise rotation
- » Low weight
- » Compact design
- » Variable position from suction and pressure flange
- » Drive via hydraulic motor or directly via cardan shaft possible
- » Permanent lubrication for bearings
- » 2.5 bar g (35.5 psig) operating pressure for the complete speed range possible
- » Fan and fan cover made of aluminium



Dimensions



Technical data

		RKL 160
Volume flow at free air	m³/h / cfm	116 - 154 / 68 - 91
Volume flow at 2 bar g / 28.4 psig	m³/h / cfm	92 - 123 / 54 - 72
Max. operating pressure	bar / psig	2.5 / 35.5
Speed	1/min / rpm	1200 - 1600
Power requirement at 2.0 bar g / 28.4 psig	kW / hp	6.5 – 8.6 / 8.9 – 11.7
Weight	kg / lb	33 / 73

Technical subject to alteration